

L H D

L F - 6
air cooled



Main Features

- **Compact and powerful design**
- **Hard rock and tunnelling applications**
- **Great power to weight ratio**
- **Extremely robust GHH frame and system design** resulting in lowest operating cost
- **Customized buckets** optimized for hard rock available
- **Proven technology only**
- Options such as **payload weighing system** or **bucket shaker**
- **Efficient combination** with MK-A20 dumper

GHH
FAHRZEUGE



Technical Specification

*

Main Dimensions

Length (tramming position)	8 764 mm
Length (loading position)	9 169 mm
Width (at cabin)	2 000 mm
Width (at drive unit)	1 950 mm
Width (at bucket)	2 040 mm
Height, laden (above drive unit)	1 670 mm
Height, laden (above driver's canopy)	2 200 mm
Max. tipping height	1 483 mm
Standard bucket capacity (SAE, heaped)	3.0 m ³

Engine

Manufacturer	Deutz
Type	F8L413FW
Design	Air cooled diesel engine
Power	136 kW / 2 300 min ⁻¹
Air intake system	Dry air filter
Exhaust system	Catalyst, silencer
Starter power/voltage	5.4 kW / 24 V
Three-phase alternator/voltage	55 A / 28 V

Drive Train

Torque converter

Manufacturer	Dana
Type	Series C 270
Design	Single stage

Power shift transmission

Manufacturer	Dana
Type	Series 32 000
Design	Four gears forward / reverse

Electrical Equipment

Operating voltage	24 V
Battery	2 x 12 V / 140 Ah

Weights

Operating weight	19 500 kg
Payload capacity	6 000 kg
Front axle, empty	8 300 kg
Rear axle, empty	11 200 kg
Front axle, loaded	17 300 kg
Rear axle, loaded	8 200 kg

Wheels and Tires

Front wheels

Rim size	14.00 - 25 / 1.5
Tire size	17.5 R 25
Tire pressure	7.0 ± 0.1 bar

Rear wheels

Rim size	14.00 - 25 / 1.5
Tire size	17.5 R 25
Tire pressure	5.0 ± 0.1 bar

Brakes (Service and Parking)

Design	Multi disk spring brake (SAHR)
--------	--------------------------------

Axles

Front axle

Manufacturer	Rigid planetary axle Kessler
Type	D91
Differential	No Spin

Rear axle

Manufacturer	Rigid planetary axle Kessler
Type	D91
Differential	Standard
Oscillating angle	±8°

Lighting System

Main / reverse headlights	LED
Additional headlights	LED

Dump / Hoist Hydraulic System

Pump displacement volume	41 + 41 cm ³ /rev
System pressure	190 bar
Number of hoist cylinders	2
Number of dump cylinders	1
Boom raising time	5.0 s
Bucket raising, from dumping position	4.1 s

Steering Hydraulic System

Pump displacement volume	41 cm ³ /rev
System pressure	150 bar
Number of steering cylinders	2



Filling Volumes

Fuel tank	170 l
Hydraulic tank	190 l
Engine with oil filter	20 l
Torque converter / power shift transmission circuit	29 l
Front axle differential	16 l
Front axle planetary gear	2 x 4 l
Rear axle differential	14.5 l
Rear axle planetary gear	2 x 4 l

Tramming Capacities

Max. tramming speeds (laden fwd/rev, on level road)	
1st gear	4.0 km/h
2nd gear	8.2 km/h
3rd gear	14.0 km/h
4th gear	22.5 km/h
Maximum admissible gradient	25%
Maximum tractive force	182 kN

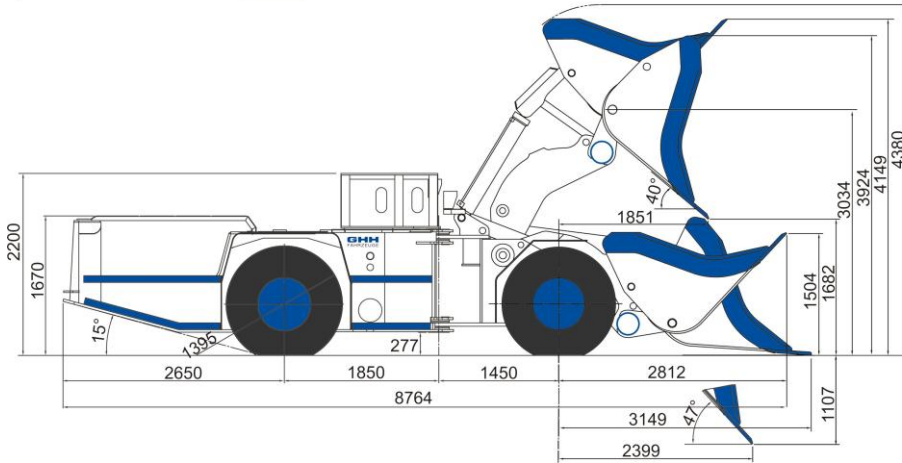
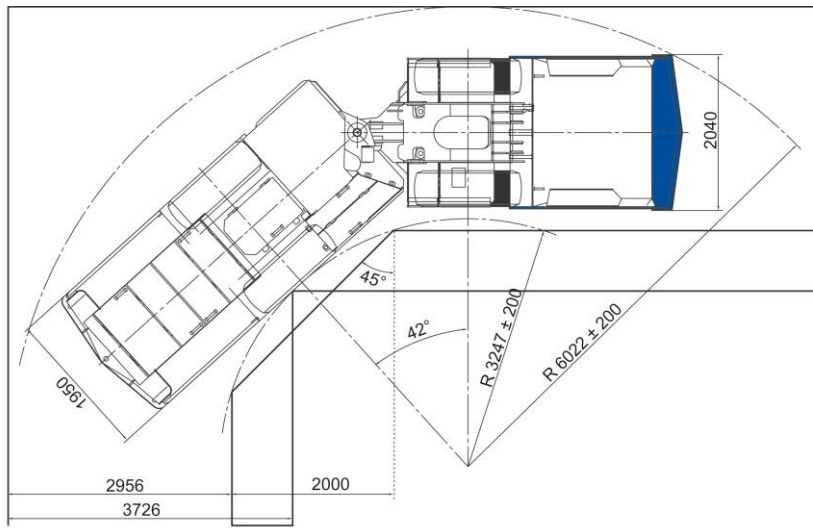
Steering

Design	Hydraulic articulated power steering
Steering angle	± 42°
Outer turn radius	6 022 ± 200 mm
Inner turn radius	3 247 ± 200 mm



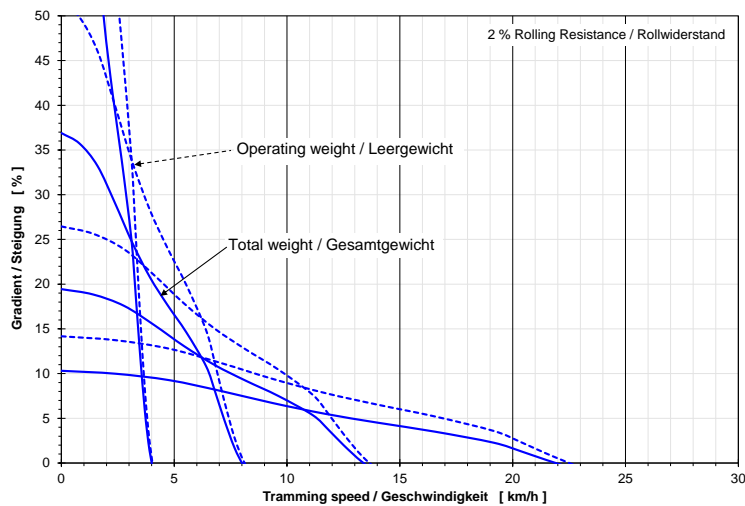
Main Options

Central lubrication	Open/Closed cabin
Fire suppression, manual / auto	Air condition
Bucket sizes	Heating system
Ejector bucket	Camera system
Side tipping bucket	Collision avoidance system
Ground engagement tools (G.E.T.)	Aggressive environment kit
Armoured bucket teeth	Radio remote control
Bucket shaker	Optional differentials
Payload weighing system	Spare wheel



Bucket***	A	B	C	D	E	F	G	H	I	J	K	L
2.4 m ³												
3.0 m ³												
3.5 m ³												
Side tipping bucket												
1.9 m ³												

Gradeability Diagram



* Changes may apply without prior notice.
 Featured machines in photos may include variations / additional equipment.
 *** Other bucket sizes available on request

