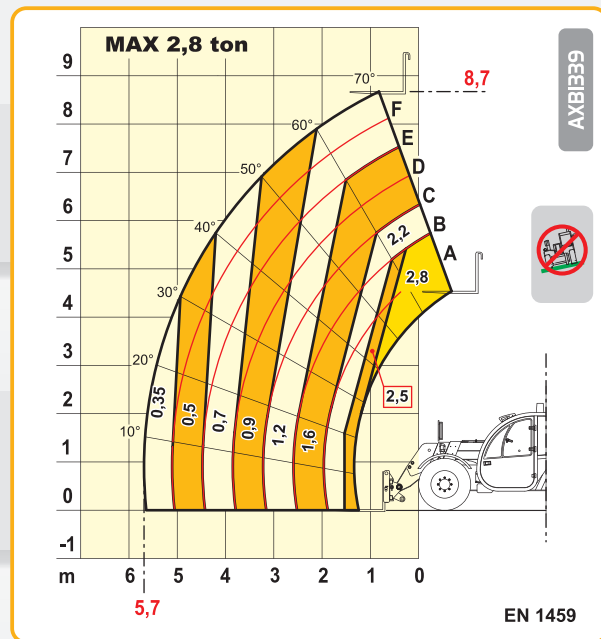
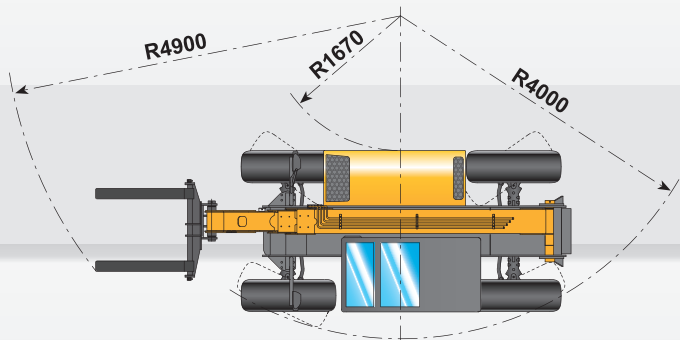
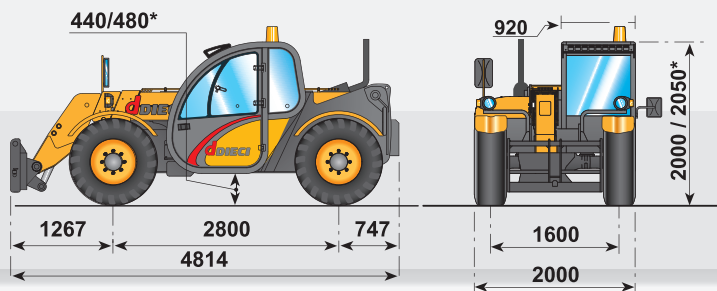


macchine edili ed agricole
d DIECI

Dedalus 28.9



Dedalus 28.9



PERFORMANCES

Maximum capacity:..... 2.800 kg
 Capacity at maximum height on tyres:..... 1.200 kg
 Maximum capacity boom on tyres:..... 350 kg
 Maximum lifting height on tyres:..... 8,70 m
 Maximum horizontal boom extension:..... 5,70 m
 Boom at maximum height:..... 0,80 m
 Angle of fork arching:..... 130°
 Tearing force:..... 5.700 daN
 Towing force:..... 7.300 daN
 Maximum slope for overtaking:..... 40 %
 Total empty weight:..... 6.150 kg
 Max speed:..... 35 km/h



ENGINE

PERKINS 1104D-44T - TC - 74.5 kW ENGINE
 Maximum power:..... 74.5 kW (101 hp) at 2200 rpm
 Operating principle:..... four-stroke, diesel engine
 Cylinder number and layout:..... 4, vertical in line
 Displacement:..... 4400 cm³ - Turbo compressor
 Cooling system:..... liquid



REFUELLING (litre)

Hydraulic circuit:..... 130
 Fuel tank:..... 60



TRANSMISSION

Transmission:..... hydrostatic with variable capacity pump
 Hydraulic engine:..... with automatic change
 Gear reversing:..... electro - hydraulic
 Inching pedal for controlled forward movement,
 2 speed power steering.



HYDRAULIC CIRCUIT

Gear pump with capacity at speed:..... 88 lt/1'
 Max working pressure:..... 230 bar
 Distributor controls with joystick:..... 3 in 1



DIFFERENTIAL AXLES

Steering axles:..... 2, with epicycloidal reduction gears
 Type of steering:..... 4 wheels / transversal / 2 wheels
 Front axle:..... rigid
 Rear axle:..... oscillating
 Service braking:..... oil bath on the front axle
 Parking brake:..... actuated negatively



STANDARD DEVICES

Anti-tipping device with block for hazardous movements.
 Closed soundproof homologated cab ROPS - FOPS, with heating.
 Hydraulic socket for possible accessories on boom head.
 Front self-locking axle (limited slip 45%).
 Self-cleaning cyclone filter



TYRES

Tyres:..... 12.5x18"
 Alternative:..... 16/70x20"
 Alternative:..... 405/70x24"



OPTIONAL AND ACCESSORIES

Optional and Accessories:..... see the relevant catalogue

The information contained in the present publication are only intended as an indication; the models described may be modified, without notice, by the manufacturer, drawings and photographs may refer to optional equipment or to particular specifications for other countries. For any further information, please contact DIECI headquarters at the address given below.