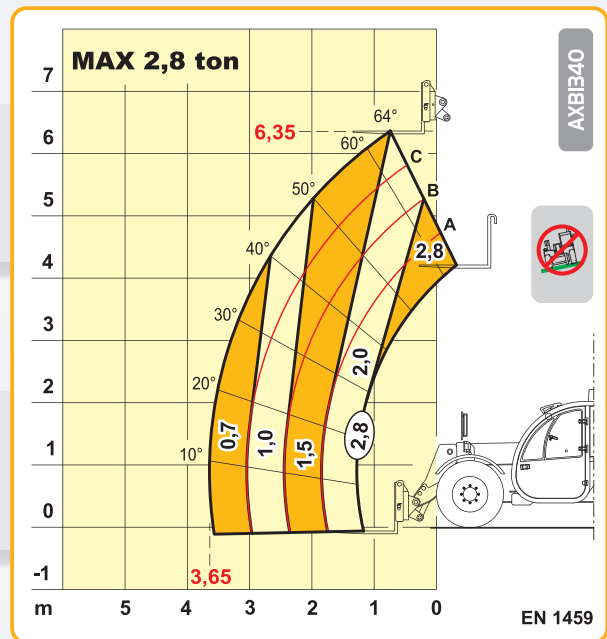
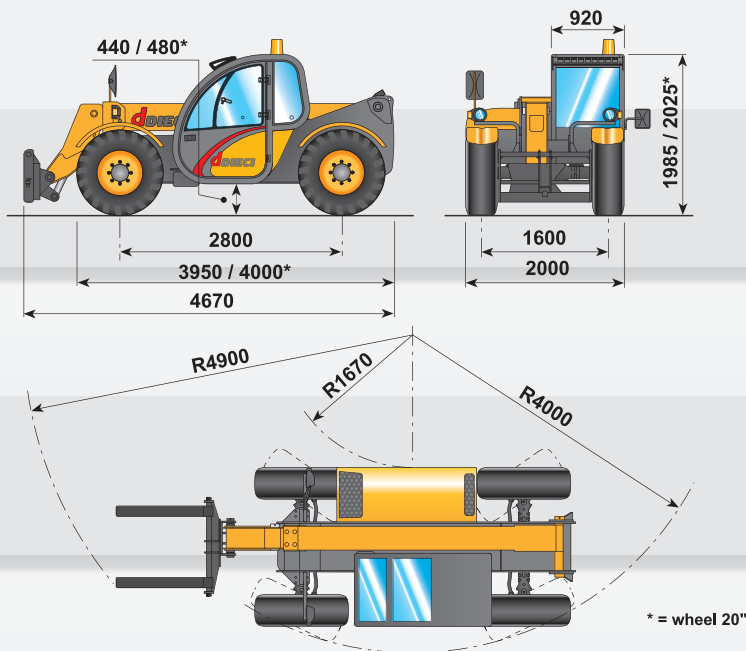


*macchine edili ed agricole*  
**d DIECI**

# Dedalus 28.7



# Dedalus 28.7



## PERFORMANCES

Maximum capacity:..... 2.800 kg  
 Capacity at maximum height on tyres:..... 2.000 kg  
 Capacity at maximum boom extension on tyres:..... 700 kg  
 Maximum lifting height on tyres:..... 6,35 m  
 Maximum horizontal boom extension:..... 3,65 m  
 Boom extension at maximum height:..... 0,80 m  
 Fork tilting angle:..... 130°  
 Tearing force:..... 5.700 daN  
 Towing force:..... 7.300 daN  
 Maximum allowable slope:..... 40 %  
 Total empty weight:..... 6.000 kg  
 Max speed:..... 35 km/h



## ENGINE

PERKINS 1104D-44T - TC - 74.5 kW ENGINE  
 Maximum power:..... 74.5 kW (101 hp) at 2200 rpm  
 Operating principle:..... four-stroke, diesel engine  
 Cylinder number and layout:..... 4, vertical in line  
 Displacement:..... 4400 cm<sup>3</sup> - Turbo compressor  
 Cooling system:..... liquid



## REFUELLING (litre)

Hydraulic tank:..... 130  
 Fuel tank:..... 60



## TRANSMISSION

Transmission:..... hydrostatic with variable delivery pump  
 Hydraulic engine:..... with automatic adjustment  
 Reversing gear:..... electro - hydraulic  
 Inching pedal for controlled forward movement.  
 Servocontrolled 2 speed gearbox.



## STANDARD DEVICES

Anti-tipping device with block for hazardous movements.  
 Hydraulic socket for possible accessories on boom head.  
 Closed soundproof ROPS - FOPS approved driver's cab, with heating.  
 Self-locking differential on front axle (limited slip 45%).  
 Self-cleaning cyclone filter



## HYDRAULIC SYSTEM

Gear pump with capacity at max speed:..... 88 lt/1'  
 Max working pressure:..... 230 bar  
 Control valve with joystick:..... 3 in 1



## DIFFERENTIAL AXLES

Steering axles:..... 2, with planetary reduction gears  
 Type of steering:..... 4 wheels/transversal/2 wheels  
 Front axle:..... rigid  
 Rear axle:..... oscillating  
 Service brake:..... oil bath on the front axle  
 Negative parking brake.



## TYRES

Tyres:..... 12,5x18"  
 Alternative:..... 16/70x20"  
 Alternative:..... 405/70x24"



## OPTIONAL AND ACCESSORIES

Optional and Accessories:..... see the relevant catalogue

The information contained in this publication is merely indicative; the models described may be modified, without notice, by the manufacturer, drawings and photographs may refer to optional or particular equipment for other countries. For any further information, please contact DIECI premises at the address given below.